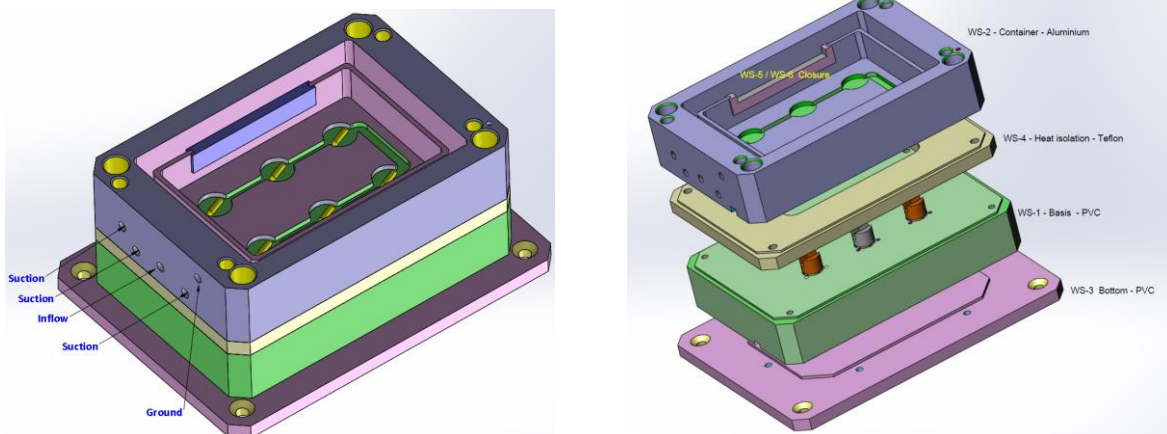


Wash station with stirring and heating: EL-WASH-MS

Requirements:

- 1 - Temperature controller is powered by 24VDC and is supplied with the wash station. Required Power: 80 Watt.
- 2 – Power supply 24Volt for DC supply for stirring motors. Power is less than 5 watt.
- 3 - Inflow by gravity or perfusion pump. To be supplied by the user.
- 4 – Suction line with liquid trap. To be supplied by the user.



- Stirring proceeds at 3 rotations per second. Speed can be lowered by (reducing voltage that is applied) but rotation speed cannot be increased.
- Temperature sensing is done with RTD. This sensing probe is located in the aluminum container.
- Electrode manifolds with 12mm posts (older type), as well as those with 7mm posts can be rinsed. 12mm posts are in 100x150mm configuration whereas the 7mm posts are in a trapezoidal configuration.
- Volume of bath: 200ml or 100ml.
- **Attention:** Avoid overflow water into the holes for the 12mm posts. The screws that hold the upper and lower parts together are sealed with silicones. Still a small leak is possible, and water could enter into the lower parts of the wash station. If 12mm posts are not used: keep holes closed with stops.